



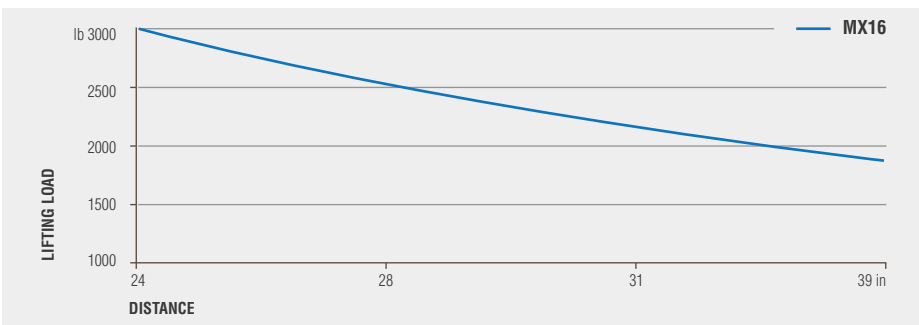
MX 16

- Full AC technology
- Adjustable wheelbase
- 48V 500Ah battery
- Multifunction LCD display
- Electronic lift control
- Cushion or Solid pneumatic tires
- Lifting height up to 243 inch
- Overall height under 78.2 inch (h6)
- Curve Speed Control
- Right Angle Stack 115°

MAST DETAILS MX 16

| HEIGHT | | STANDARD INCL. SIDE-SHIFT | | | | DUPLEX INCL. SIDE-SHIFT | | | | TRIPLEX INCL. SIDE-SHIFT | | | |
|------------------------|----------|------------------------------|-------|-------|----------------|----------------------------|-------|-------|---------------|-----------------------------|-------|-------|-------|
| | | | | | | | | | | | | | |
| Lift height | h_{23} | 117 | 126 | 150 | 162 | 117 | 126 | 150 | 162 | 176 | 189 | 224 | 243 |
| Closed mast height | h_1 | 78.1 | 82.4 | 94.3 | 100.6 | 78.1 | 82.4 | 94.3 | 100.6 | 78.1 | 82.4 | 94.3 | 100.6 |
| Height mast extended * | h_4 | 159.1 | 167.7 | 191.3 | 203.9 | 159.1 | 167.7 | 191.3 | 203.9 | 216.1 | 229.1 | 264.6 | 283.5 |
| Free lift | h_2 | - | - | - | - | 59.9 | 64.2 | 76 | 82.3 | 59.9 | 64.2 | 76 | 82.3 |
| Overall width MX 16 | b_1 | 38.8 SE - 39.2 V | | | 4 1.5 SE-41.9V | 38.8 SE - 39.2 V | | | 41.5 SE-41.9V | 42.3 SE - 42.7 V | | | |

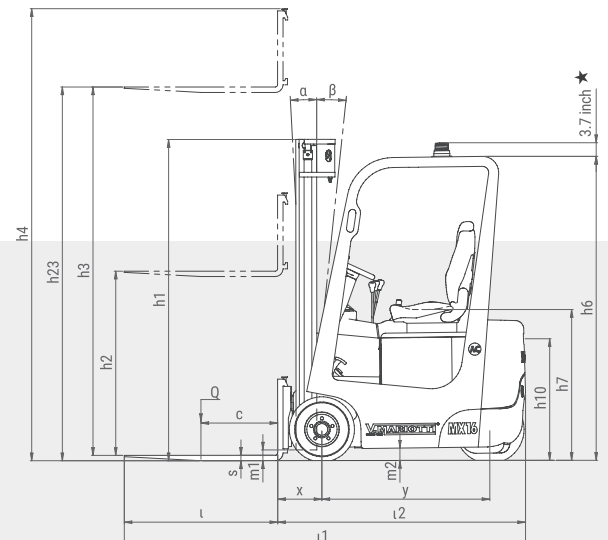
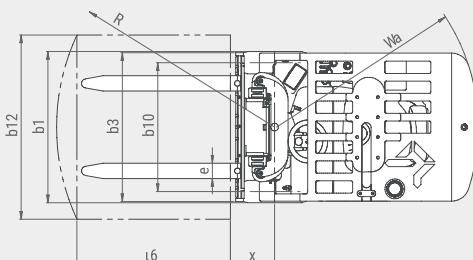
* With Backrest



Data showed are not binding and are liable to variations.
The constructor reserves the right of changes without notice.

★ On demand installation of the strobo light under the height of the overhead guard **h6**

Non-standard tyres, different masts, optional equipment, etc. may result in different values.



| | 1.1 | Manufacturer | | | V.MARIOTTI S.r.l. | |
|-----------------|--|---|---|--------------------------|---|------------------|
| CHARACTERISTICS | 1.2 | Model | | | MX 16 | |
| | 1.3 | Type of drive | | | electric | |
| | 1.4 | Operator type | | | driver sitting | |
| | 1.5 | Load capacity/rated load | Q | lb | 3000 | |
| | 1.6 | Load centre distance | c | in | 24 | |
| | 1.8 | Load distance | x | in | 11.4 ● | |
| | 1.9 | Wheel base min / max (adjustable) | y | in | 41.6 / 45.2 | |
| | WEIGHTS | 2.1 | Net weight incl. battery (see row 6.5) | | | 6724 ■ |
| | | 2.2 | Axle load. with load. front / rear | | | 8269 / 1455 |
| 2.3 | | Axle load. without load. front / rear | | | 3241 / 3483 | |
| WHEELS | 3.1 | Tires: Solid pneumatic (SE). Cushion (V) | | | SE / SE - V / V | |
| | 3.2 | Tire size front | | | 145x60-9 - 16 ^{1/4} x6x11 ^{1/4} | |
| | 3.3 | Tire size rear | | | 18x7-8 - 18x6x12 ^{1/8} | |
| | 3.5 | Wheels. number front/rear (◆ = driven wheels) | | | 2 / 1 ◆ | |
| | 3.6 | Track width. front | b ₁₀ | in | 33.1 | |
| | DIMENSIONS | 4.1 | Tilt of mast/fork carriage forward/backward | | | α/β [°] |
| 4.2 | | Closed mast height | | | h ₁ in 78.5 | |
| 4.3 | | Free lift | | | h ₂ in \ | |
| 4.4 | | forks lifting | | | h ₃ in 125 | |
| | | Lifting height | | | h ₂₃ in 126 | |
| 4.5 | | Height mast extended | | | h ₄ in 139.8 | |
| 4.7 | | Height of overhead guard | | | h ₆ in 78.2 | |
| 4.8 | | Seat height | | | h ₇ in 37.4 | |
| 4.12 | | Coupling height | | | h ₁₀ in 31.5 | |
| 4.19 | | Overall length | | | l ₁ in 103 | |
| 4.20 | | Length including back of forks | | | l ₂ in 63.6 ● | |
| 4.21 | | Overall width | | | b ₁ in 38.8 SE - 39.2 V | |
| 4.22 | | Fork dimensions | | | s/e/l in 1.4x3.9x39.4 | |
| 4.23 | | Forks carriage ISO 2328. Class/form A. B | | | ISO 2A | |
| 4.24 | | Forks carriage width | | | b ₃ in 38.2 | |
| 4.31 | Floor clearance with load under mast | | | m ₁ in 3.3 | | |
| 4.32 | Floor clearance centre wheelbase | | | m ₂ in 3.5 | | |
| 4.34 | Right Angle Stack (for a 40" wide by 48" long pallet load) | | | in 115.0 | | |
| 4.35 | Turning radius | | | W _a in 52.2 ▲ | | |
| PERFORMANCE | 5.1 | Driving speed with/without load | | | mph 6.5 / 6.8 | |
| | 5.2 | Lift speed with/without load | | | fpm 55.1 / 74.8 | |
| | 5.3 | Lowering speed with/without load | | | fpm 70.9 / 55.1 | |
| | 5.6 | Max. drawbar pull. with/without load | | | lb 1225 / 1293 | |
| | 5.7 | Gradeability. with/without load | | | % 10 / 16 | |
| | 5.8 | Max Gradeability. with/without load | | | % 15 / 22 | |
| 5.10 | Service brake | | | hydraulic | | |
| ELECTRIC SYSTEM | 6.1 | Drive motor rating S2 60 min. | | | kW 5.5 | |
| | 6.2 | Lift motor rating at S3 20% | | | kW 8.5 | |
| | 6.4 | Battery voltage/nominal capacity K5 | | | V/Ah 48 / 500 | |
| | 6.5 | Battery weight | | | lb 1676 ■ | |
| | 8.1 | Type of drive control | | | AC MOSFET | |
| OTHER | 8.2 | Working pressure for attachments | | | psi 2321 | |
| | 8.4 | Sound pressure level at operator's ear | | | - | |



- ▲ with mast in vertical position
- included side-shift

Non-standard tires, different masts, optional equipment, etc. may result in different values.
Right Angle Stack and Equal Intersecting Aisle dimensions (provided with a 48" long and 40" wide pallet load) allowing zero clearance.

